

CODE: D413104
Item: PG Connector UNIMAX CU 6-50

PRODUCT TECHNICAL SPECIFICATION

Description: Non-tension copper to copper parallel groove connector which has two M8 bolts.

Main conductor cross-section: 6-50 mm² (Copper)

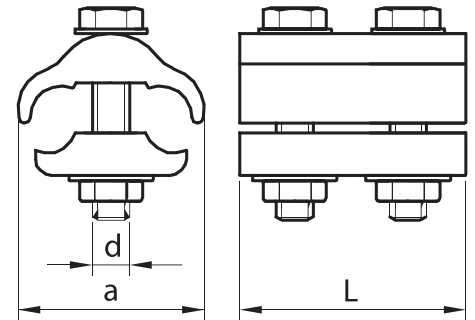
Main conductor diameter: 3.1-8.4 mm

Branch conductor cross-section: 6-50 mm² (Copper)

Branch conductor diameter: 3.1-8.4 mm

Dimensions

a [mm] 33.5 mm
d [mm] M8
L [mm] 45 mm



Other characteristics

Connector material: High-conductivity copper
Bolt: 2xM8
Coating: Default hot-dip galvanized (other as per clients request)
Tightening torque: 20Nm
Required tools: 13mm wrench

Marking: PLAMEN Code, Cu6-50, 20Nm
Standard: SRPSN.F4.106, according to EN61238-1 requirements

Packing

Product weight: 195.00g per piece
Bag packing: as per requirement
Box packing: as per requirement
Box BRUTO weight: as per requirement

