

CODE: P432040
Item: Insulation Piercing Connector IOS-26T

PRODUCT TECHNICAL SPECIFICATION

Description: Insulation piercing connector IOS-26T is designed for branching and continuation of main ABC cable lines. Connector is used for aluminum and copper conductors. During assembly and installation, insulation of main and branch lines should not be removed. Connector is developed to be installed on the energized lines. Test voltage 6kV/50Hz for 1 min.

Main conductor cross-section: 16-120 mm² (Aluminum and/or Copper)

Main conductor diam.: 7.0-16.7 mm

Branch conductor cross-section: 2.5-35 mm² (Aluminum and/or Copper)

Branch conductor diam.: 3.6-10.9 mm

Tightening torque: 7 Nm (shear-head)

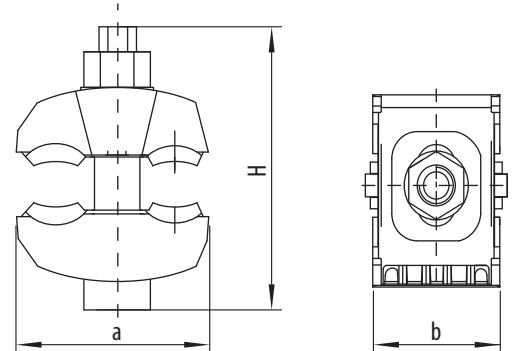


Dimensions

a [mm] 60 ± 2 mm

b [mm] 29 ± 2 mm

H [mm] 77 ± 2 mm



Other characteristics

Elec. contact material: Aluminum alloy (other as per Clients request)

Bolt: 1 x M8

Coating: Galvanized (other as per clients request)

Body and sealant: Weather and UV resistant Polyamide and water -tightness elastomer

Nut with shear-head: Aluminum alloy

Insulation cap: UV and weather resistant elastomer

Washer: Steel

Required tools: 13 mm wrench

Marking: PLAMEN, IOS-26T, 16-120/2.5-70

Standard: EN 50483-4

Packing

Product weight: 100.00g per piece

Bag packing: 50 pcs

Box packing: 100 pcs

Box BRUTO weight: 10.42 kg

