

CODE: P432043
Item: Insulation Piercing Connector IOS-31T

PRODUCT TECHNICAL SPECIFICATION

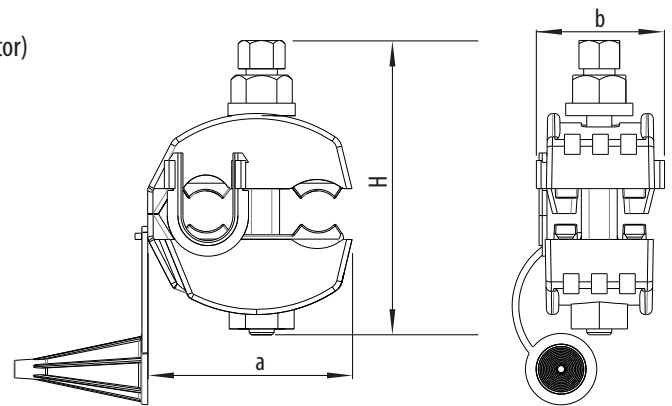
Description: Insulation piercing connector IOS-31T is designed for branching of main uninsulated conductor lines to ABC or insulated branch lines. During assembly and installation, insulation of branch line should not be removed.



Main conductor cross-section: 6-95 mm² (bare conductor)
Main conductor diam.: 3.3-16 mm
Branch conductor cross-section: 6-70 mm² (Insulated Aluminum and/or Copper conductor)
Branch conductor diam.: 3.3-16 mm
Tightening torque: 7 Nm (shear-head)

Dimensions

a [mm] 55 ± 2 mm
b [mm] 30 ± 2 mm
H [mm] 75 ± 2 mm



Other characteristics

Elec. contact material: High conductivity copper (other as per Clients request)
Bolt: 1 x M8 (quality 8.8)
Coating: Galvanized (other as per clients request)
Body and sealant: Weather and UV resistant Polyamide and water -tightness elastomer
Nut with shear-head: Aluminum alloy
Insulation cap: UV and weather resistant elastomer
Washer: Steel
Required tools: 13 mm wrench
Marking: PLAMEN, P432043, 6-95/6-70
Standard: EN 50483-4

Packing

Product weight: 110.00g per piece
Bag packing: 50 pcs
Box packing: 100 pcs
Box BRUTO weight: 11.42 kg

