

**CODE:** P432056  
**Item:** Insulation Piercing Connector IOS-7T

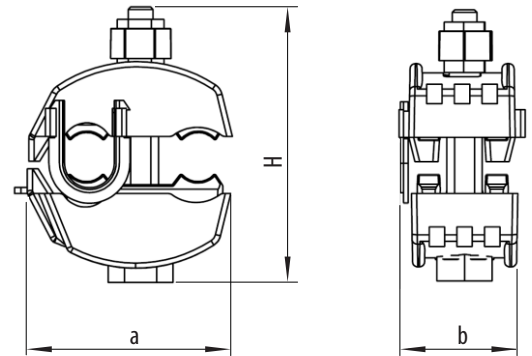
## PRODUCT TECHNICAL SPECIFICATION

**Description:** Insulation piercing connector IOS-7T is designed for branching and continuation of main ABC cable lines. Connector is used for aluminum and copper conductors. During assembly and installation, insulation of main and branch lines should not be removed. Connector is developed to be installed on the energized lines. Test voltage 6kV/50Hz for 1 min.

**Main conductor cross-section:** 25-150 mm<sup>2</sup>  
**Main conductor diam.:** 7.0-18.0 mm  
**Branch conductor cross-section:** 25-150 mm<sup>2</sup>  
**Branch conductor diam.:** 3.6-18.0 mm  
**Tightening torque:** 14 Nm (shear-head)

### Dimensions

**a [mm]** 70 ± 2 mm  
**b [mm]** 42 ± 2 mm  
**H [mm]** 86 ± 2 mm



### Other characteristics

**Elec. contact material:** Copper  
**Bolt:** 1 x M8  
**Coating:** Galvanized (other as per clients request)  
**Body and sealant:** Weather and UV resistant Polyamide and water -tightness elastomer  
**Nut with shear-head:** Aluminum alloy  
**Insulation cap:** UV and weather resistant elastomer  
**Washer:** Steel  
**Required tools:** 13 mm wrench  
**Marking:** PLAMEN, IOS-7T, 25-150/25-150, production date  
**Standard:** EN 50483-4

### Packing

**Product weight:** 176.00g per piece  
**Bag packing:** - pcs  
**Box packing:** 75 pcs  
**Box BRUTO weight:** 13.62 kg

