

CODE: P801501
Item: Aluminum bracket CS1500

PRODUCT TECHNICAL SPECIFICATION

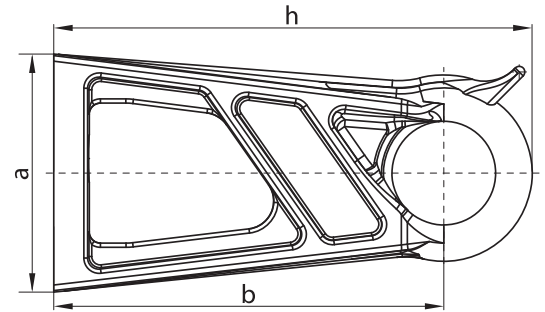
Description: Aluminum bracket is made of high-strength aluminum to provide adequate suspension support for ABC cables. Mostly, this bracket is used for suspension of the ABC cables on poles.



SMFL: 13.125 kN with respected angle $\arctg \varphi = 33^\circ$
 (according to NFC 33-040, table 3.)

Dimensions

a [mm] 83 mm
b [mm] 140 mm
h [mm] 175 mm



Other characteristics

Body: High-strength aluminum alloy

Marking: PLAMEN, CS1500, production date

Standard: NFC 33-040

Packing

Product weight: 330.00g per piece

Bag packing: - pcs

Box packing: 25 pcs

Box BRUTO weight: 8.70 kg

