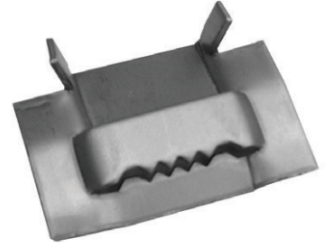


**CODE:** P800201  
**Item:** Buckle for stainless steel strap 0.7x20mm

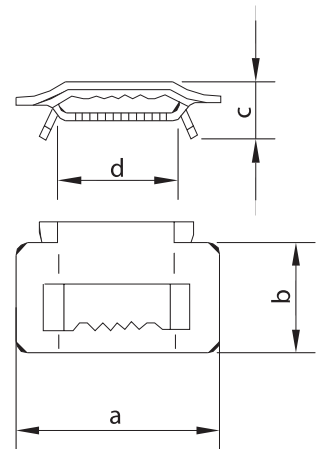
## PRODUCT TECHNICAL SPECIFICATION

**Description:** Designed for fixing stainless steel strap to the poles. Material of the buckle is stainless steel.



### Dimensions

<b>a [mm]</b>	42
<b>b [mm]</b>	27
<b>c [mm]</b>	12
<b>d [mm]</b>	20



### Other characteristics

**Product material:** Stainless Steel  
**Packing:** In plastic bag or in box  
**Required tools:** Tensile tool for stainless steel strap, crimps and small hammer  
**Marking:** -

### Packing

**Product weight:** 14g per product  
**Bag packing:** 100 pcs  
**Box packing:** 1000 pcs  
**Box BRUTO weight:** 14.42 kg

